

HDCH8S Modular Contactor

Standard: IEC 61095



Function

HDCH8S Modular Contactor provide:

- HDCH8S Modular Contactor provide:
- Switch on or Switch off lighting or other equipments

Order Information

Pole	Current (A)	Contacts	Reference	
2P	16	2NO	HDCH8S16220	
		2NC	HDCH8S16202	
		1NO 1NC	HDCH8S16211	
	20	2NO	HDCH8S20220	
		2NC	HDCH8S20202	
		1NO 1NC	HDCH8S20211	
	25	2NO	HDCH8S25220	
		2NC	HDCH8S25202	
		1NO 1NC	HDCH8S25211	
	40	2NO	HDCH8S40220	
		2NC	HDCH8S40202	
		1NO 1NC	HDCH8S40211	
	63	2NO	HDCH8S63220	
		2NC	HDCH8S63202	
		1NO 1NC	HDCH8S63211	
4P	16	4NO	HDCH8S16440	
		4NC	HDCH8S16404	
		2NO 2NC	HDCH8S16422	
		3NO 1NC	HDCH8S16431	
		20	4NO	HDCH8S20440
			4NC	HDCH8S20404
	2NO 2NC		HDCH8S20422	
	3NO 1NC		HDCH8S20431	
	25		4NO	HDCH8S25440
			4NC	HDCH8S25404
		2NO 2NC	HDCH8S25422	
		3NO 1NC	HDCH8S25431	
		40	4NO	HDCH8S40440
			4NC	HDCH8S40404
	2NO 2NC		HDCH8S40422	
	3NO 1NC		HDCH8S40431	
	63		4NO	HDCH8S63440
			4NC	HDCH8S63404
2NO 2NC		HDCH8S63422		
3NO 1NC		HDCH8S63431		
Spacer for HDCH8s			HDCH8sIS	



Final Distribution



HDCH8S Modular Contactor

Standard: IEC 61095



Technical information

Parameter		Item	16	20	25	40	63
Standard			IEC 61095				
Rated Current In(A)	AC-7a		16	20	25	40	63
	AC-7b		6	7	8.5	15	20
Conventional Free Air Thermal Current Ith(A)			25	25	25	63	63
Rated Insulation Voltage Ui(V)			500				
Rated Voltage Ue(V)			250		400		
Ambient Temperature			-5°C~ 40°C				
Making and Breaking Capacity (AC-7a)			1.5Ie				
Main Contacts		2P	1NO1NC, 2NO, 2NC				
		4P	2NO2NC, 3NO1NC, 4NO, 4NC				
Controlled power (kW)	AC-7a	230V	3.5	4.5	5.5	9	14
		400V	6.5	8	10	16	25
	AC-7b	230V	1.4	1.6	2	3.5	4.5
		400V	2.4	2.8	3.4	6	8
Electrical durabilities			10×10 ⁴				
Mechanical durabilities			100×10 ⁴				
Operation frequency /1h			100				
Coil Voltage Us(V)			AC 230V 50/60Hz				
Wiring Ability (mm ²)	Control circuit	Rigid wire	1.5~2.5 mm ²			2×1.5mm ²	
		Flexible wire	1.5~2.5 mm ²			2×2.5mm ²	
	Main circuit	Rigid wire	1.5~6mm ²			6~25mm ²	
		Flexible wire	1~4 mm ²			6~16mm ²	

Installation

In the cabinet or box, one piece of spacer must be installed between each two HDCH8s contactors, in order to improve the heat dissipation in sealed space.

HDCH8S Modular Contactor

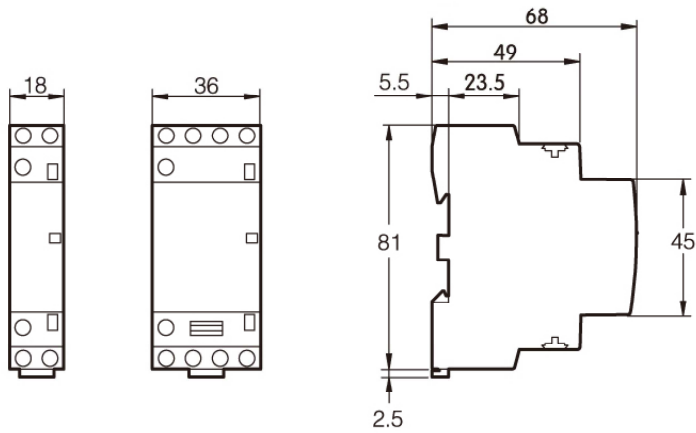
Standard: IEC 61095



Overall Dimensions

HDCH8S 16-63A

HDCH8S, 16-25A



HDCH8S, 40-63A

