

HDM3 Molded Case Circuit Breaker

Accessories

Standard: IEC/EN 60947-2

3SERIES
MORE VALUE FOR PRICE!



HDM3 accessories

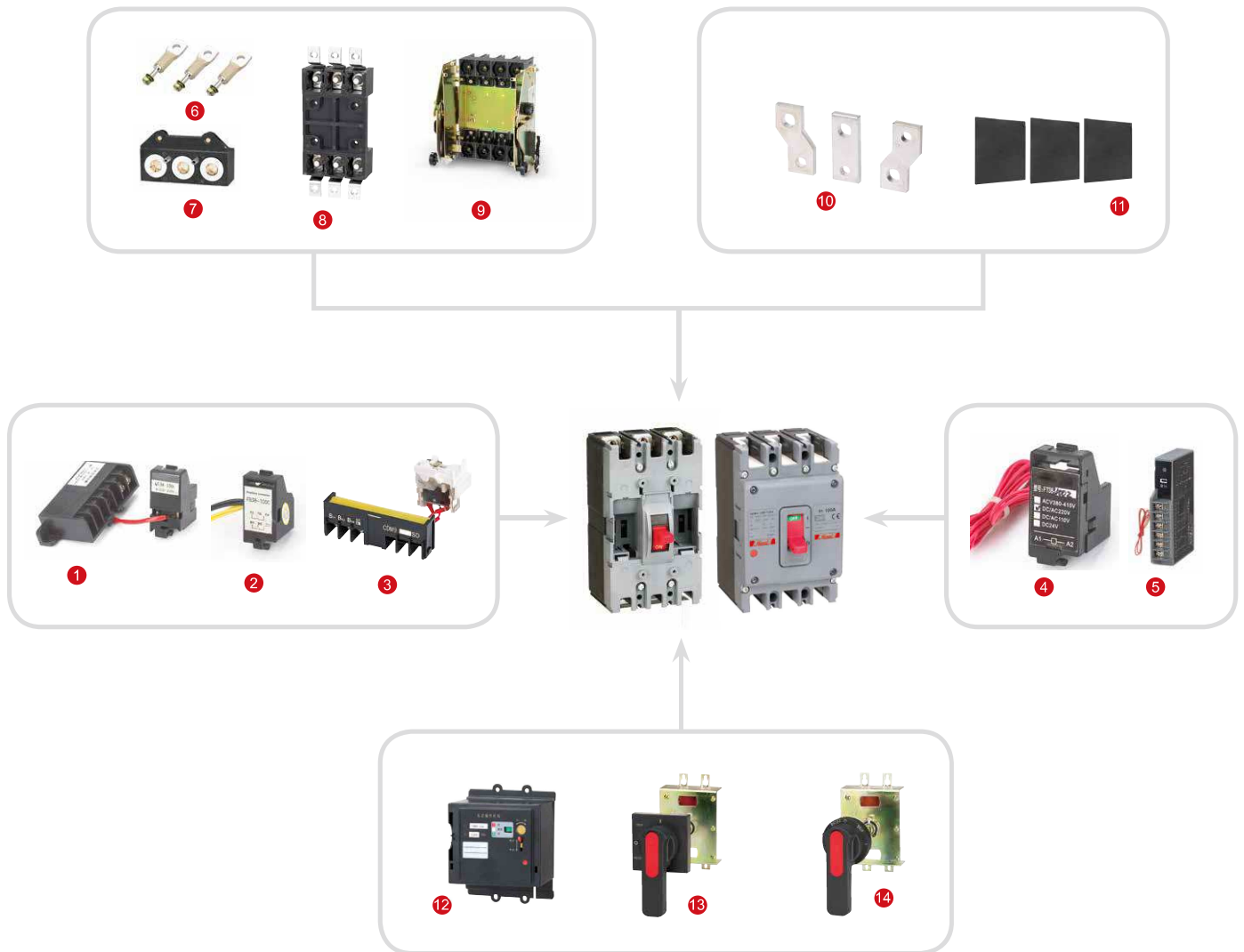
HDM3- List of accessories

Electrical accessories: shunt release, undervoltage release, auxiliary contact, alarm contact, auxiliary alarm integrated release and leakage alarm module

Mechanical accessories: interphase barriers, extension terminal, manual operating mechanism and electric operating mechanism

Mechanical accessories: interphase barriers, extension terminal, manual operating mechanism and electric operating mechanism

Overview of Acc



1	Undervoltage release	6	Fixed rear connection	11	interphase barriers
2	Auxiliary contact	7	Plug-in rear connection	12	Electric operating mechanism
3	Alarm contact	8	Plug-in front connection	13	Square handle operating mechanism
4	Shunt release	9	Withdrawable connection	14	Round handle operating mechanism
5	Leakage alarm module	10	Extension terminal		

HDM3 Molded Case Circuit Breaker

Mechanical accessories
Standard: IEC/EN 60947-2

3SERIES
MORE VALUE FOR PRICE!



Electrical accessories

Auxiliary contact and alarm contact

Auxiliary contact

An accessory connected in the auxiliary circuit of the switching device to indicate the circuit breaker status of ON or OFF or Trip

Alarm contact:

An accessory used to indicate the circuit breaker status of ON or OFF or Trip. When the alarm contact indicates that the circuit breaker is at Trip status, there are the following five possibilities:

- Overload or short circuit fault
- Residual current fault
- Manual test button trip
- Shunt release action
- Line fault and undervoltage release action

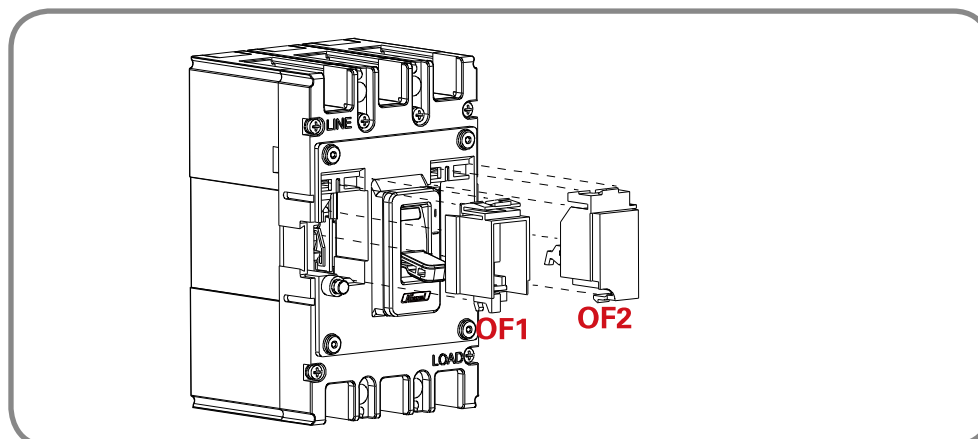
Electrical wiring diagram

Accessory name	ON	OFF/TRIP
Auxiliary		
Accessory name	ON	OFF/TRIP
Alarm		

Electrical parameters of auxiliary alarm contact

Conventional Thermal Current	3A	
Thermal Current Use class (IEC/EN 60947-2)	AC 15	DC13
Working electricity 50Hz	AC 400V	0.3A
electricity 50HZ	DC 220V	0.15A

Installation diagram of auxiliary contact



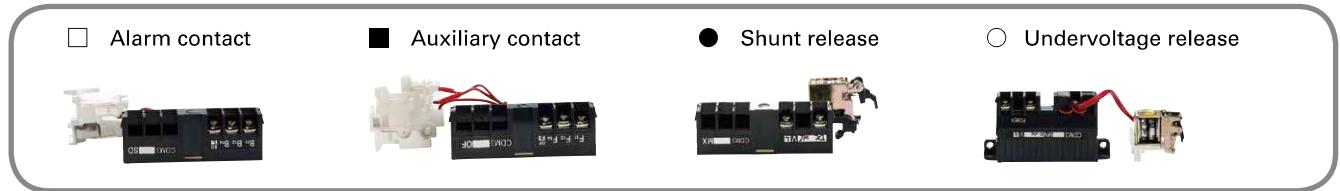
HDM3 Molded Case Circuit Breaker

Electric accessories
Standard: IEC/EN 60947-2

3SERIES
MORE VALUE FOR PRICE!



HDM3 Installation sites of HDM3 electric accessories



Electromagnetic type	Compound	Accessory name	HDM3-63/100L/S	HDM3-100M/F/T/N	HDM3-160/250	HDM3-400/630	HDM3-800	HDM3-1250
208	308	Alarm code	□	□	□	□	□	
210	310	Shunt release		●	●	●	●	●
220	320	Auxiliary contact	■	■	■	■	■	■
230	330	Undervoltage release	○	○	○	○	○	○
240	340	Shunt+auxiliary	■	●	●	●	●	■
250	350	Shunt+undervoltage	○	●	●	●	●	○
260	360	Two groups of auxiliary contacts	■	■	■	■	■	■
270	270	Auxiliary+undervoltage	○	■	■	■	■	○
218	318	Shunt + alarm	□	●	●	●	●	
228	328	Auxiliary+alarm	□	■	■	■	■	
238	338	Undervoltage+alarm	○	□	□	□	□	
248	348	Shunt+auxiliary+alarm	□	■	●	●	●	
268	368	Two groups of auxiliary+alarm	□	■	■	■	■	
278	378	Auxiliary+undervoltage+alarm	○	□	■	■	■	

Note: 200 refers to the circuit breaker body only with a magnetic release; 300 refers to the circuit breaker body with thermal trip and electromagnetic trip.