

# HDM3 Molded Case Circuit Breaker

Product Features

Standard: IEC/EN 60947-2

**3SERIES**  
MORE VALUE FOR PRICE!



## Product Features

### Standard

· IEC 60947-2

### Pollution Degree

HDM3 products operate in the environment (industrial environment) with pollution class 3 defined in IEC/EN 60947-1 and IEC/EN 60947-2 standards.

### Wet and heat resistance

Dry and cold  
Dry and heat  
Wet and heat

### Environment temperature

· HDM3 series can work for a long time under normal environment and operating temperature between -5 °C and 40 °C .

· Refer to the temperature derating factor table or contact us if the operating ambient temperature exceeds 40 °C (motor protection exceeds 60 °C ).

· Storage temperature ranges between -20 °C and 70 °C .

### Altitude

· Altitude at normal installation site does not exceed 2000m.

· If the altitude exceeds 2000m, the changes in the dielectric strength and the air temperature drop must be considered. Refer to the altitude derating factor table or contact us.

### Humidity

The following conditions must be met during normal operation:

· The relative humidity of atmosphere does not exceed 50% if the ambient air temperature is +40 °C . The product can be used at a high relative humidity if the temperature is low.

· The monthly average relative humidity at the wettest month is 90%.

· The impact of the condensation generated on the product surface on the product property shall be considered.

### Reliable contact indication with isolating function

HDM3 moulded case circuit breaker complies with the isolation defined in IEC standard 60947-2

· The isolated location corresponds to O (OFF)

· The operating handle can indicate "OFF" only when the contact is really open

· The rotation handle or electric operating mechanism will not change the reliability of the contact indication system. Through the test, the isolating function must guarantee:

· Mechanical reliability of contact indication system

· No leakage current

· There is a certain overvoltage resistance capacity between the input and output terminals.

### Protection class

· IP protection class of circuit breaker body: IP20

· Circuit breaker installed in the switch cabinet:

circuit breaker with a toggle handle IP40

circuit breaker with an electric operating mechanism IP40



# HDM3 Molded Case Circuit Breaker

Reference

Standard: IEC/EN 60947-2

**3SERIES**  
MORE VALUE FOR PRICE!



## Material order number

### HDM3 Fixed front connection Power distribution protection Thermal magnetic tripping

Product Specification	In(A)	Icu(KA)	Ics(KA)	Order Reference	Order Reference	Order Reference
				Fixed front 3 pole	Fixed front 4-pole A type	Fixed front 4-pole B type
HDM3-63L	10	18	18	HDM363L1033XX	HDM363L10A3XX	HDM363L10B3XX
	16	18	18	HDM363L1633XX	HDM363L16A3XX	HDM363L16B3XX
	20	18	18	HDM363L2033XX	HDM363L20A3XX	HDM363L20B3XX
	25	18	18	HDM363L2533XX	HDM363L25A3XX	HDM363L25B3XX
	32	18	18	HDM363L3233XX	HDM363L32A3XX	HDM363L32B3XX
	40	18	18	HDM363L4033XX	HDM363L40A3XX	HDM363L40B3XX
	50	18	18	HDM363L5033XX	HDM363L50A3XX	HDM363L50B3XX
	63	18	18	HDM363L6333XX	HDM363L63A3XX	HDM363L63B3XX
HDM3-63S	10	25	18	HDM363S1033XX	HDM363S10A3XX	HDM363S10B3XX
	16	25	18	*HDM363S1633XX	HDM363S16A3XX	HDM363S16B3XX
	20	25	18	*HDM363S2033XX	HDM363S20A3XX	HDM363S20B3XX
	25	25	18	*HDM363S2533XX	HDM363S25A3XX	HDM363S25B3XX
	32	25	18	*HDM363S3233XX	HDM363S32A3XX	HDM363S32B3XX
	40	25	18	*HDM363S4033XX	HDM363S40A3XX	HDM363S40B3XX
	50	25	18	*HDM363S5033XX	HDM363S50A3XX	HDM363S50B3XX
	63	25	18	*HDM363S6333XX	HDM363S63A3XX	HDM363S63B3XX
HDM3-63M	10	30	30	HDM363M1033XX	HDM363M10A3XX	HDM363M10B3XX
	16	30	30	HDM363M1633XX	HDM363M16A3XX	HDM363M16B3XX
	20	30	30	HDM363M2033XX	HDM363M20A3XX	HDM363M20B3XX
	25	30	30	HDM363M2533XX	HDM363M25A3XX	HDM363M25B3XX
	32	30	30	HDM363M3233XX	HDM363M32A3XX	HDM363M32B3XX
	40	30	30	HDM363M4033XX	HDM363M40A3XX	HDM363M40B3XX
	50	30	30	HDM363M5033XX	HDM363M50A3XX	HDM363M50B3XX
	63	30	30	HDM363M6333XX	HDM363M63A3XX	HDM363M63B3XX
HDM3-63F	10	50	30	HDM363F1033XX	HDM363F10A3XX	HDM363F10B3XX
	16	50	30	*HDM363F1633XX	HDM363F16A3XX	HDM363F16B3XX
	20	50	30	*HDM363F2033XX	HDM363F20A3XX	HDM363F20B3XX
	25	50	30	*HDM363F2533XX	HDM363F25A3XX	HDM363F25B3XX
	32	50	30	*HDM363F3233XX	HDM363F32A3XX	HDM363F32B3XX
	40	50	30	*HDM363F4033XX	HDM363F40A3XX	HDM363F40B3XX
	50	50	30	*HDM363F5033XX	HDM363F50A3XX	HDM363F50B3XX
	63	50	30	*HDM363F6333XX	HDM363F63A3XX	HDM363F63B3XX
HDM3-100L	10	18	18	HDM3100L1033XX	HDM3100L10A3XX	HDM3100L10B3XX
	16	18	18	HDM3100L1633XX	HDM3100L16A3XX	HDM3100L16B3XX
	20	18	18	HDM3100L2033XX	HDM3100L20A3XX	HDM3100L20B3XX
	25	18	18	HDM3100L2533XX	HDM3100L25A3XX	HDM3100L25B3XX
	32	18	18	HDM3100L3233XX	HDM3100L32A3XX	HDM3100L32B3XX
	40	18	18	HDM3100L4033XX	HDM3100L40A3XX	HDM3100L40B3XX
	50	18	18	HDM3100L5033XX	HDM3100L50A3XX	HDM3100L50B3XX
	63	18	18	HDM3100L6333XX	HDM3100L63A3XX	HDM3100L63B3XX
	80	18	18	HDM3100L8033XX	HDM3100L80A3XX	HDM3100L80B3XX
	100	18	18	HDM3100L10033XX	HDM3100L100A3XX	HDM3100L100B3XX

The reference with "\*" means that it has 40 °C and 50 °C. Please add "T" at the end as 50 °C reference.



# HDM3 Molded Case Circuit Breaker

Mechanical accessories  
Standard: IEC/EN 60947-2

**3SERIES**  
MORE VALUE FOR PRICE!



## HDM3 Mechanical accessories

### Interphase barriers

The interphase barriers can enhance the insulating performances of the conductors between the phases. They can be installed from the front slot even after the switch is installed.

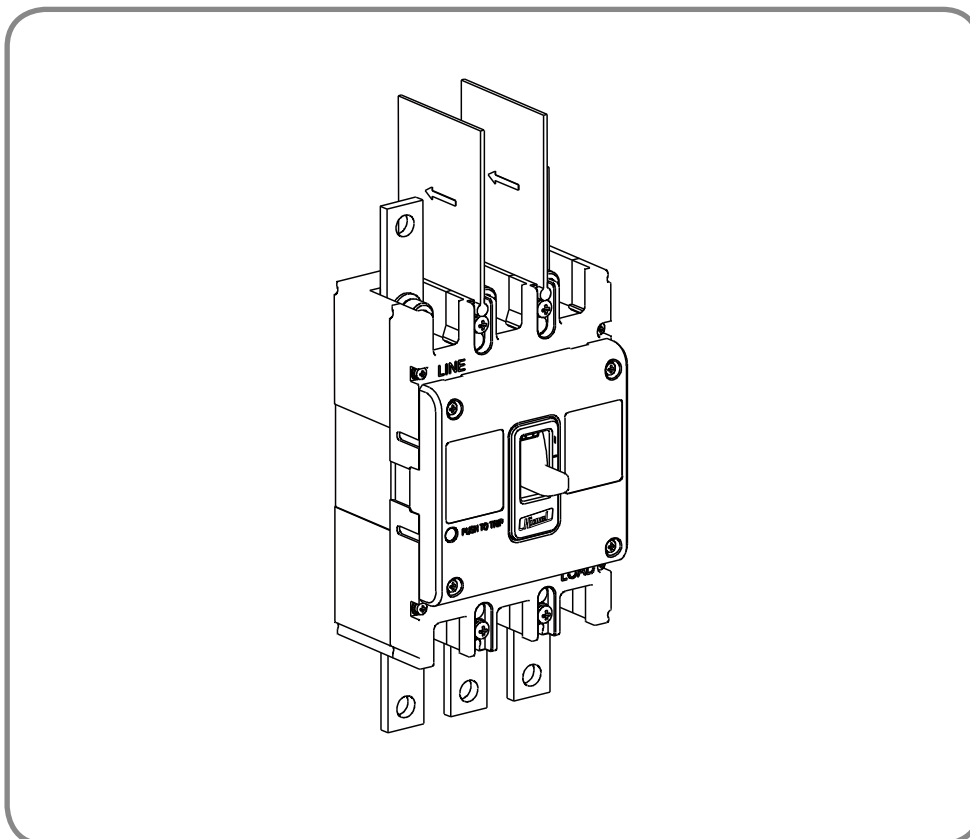
### Standard offer 4pcs (3P) or 6pcs (4P) interphase barriers

#### Extension terminals

The extension terminal is connected to the standard terminal of the circuit breaker, so as to provide many other wiring schemes in the limited space:

- >Direct extension terminal
- >Extension terminal with inter-electrode distance

The busbar and extension terminal can be connected to the inlet or outlet terminal of the circuit breaker.



# HDM3 Molded Case Circuit Breaker

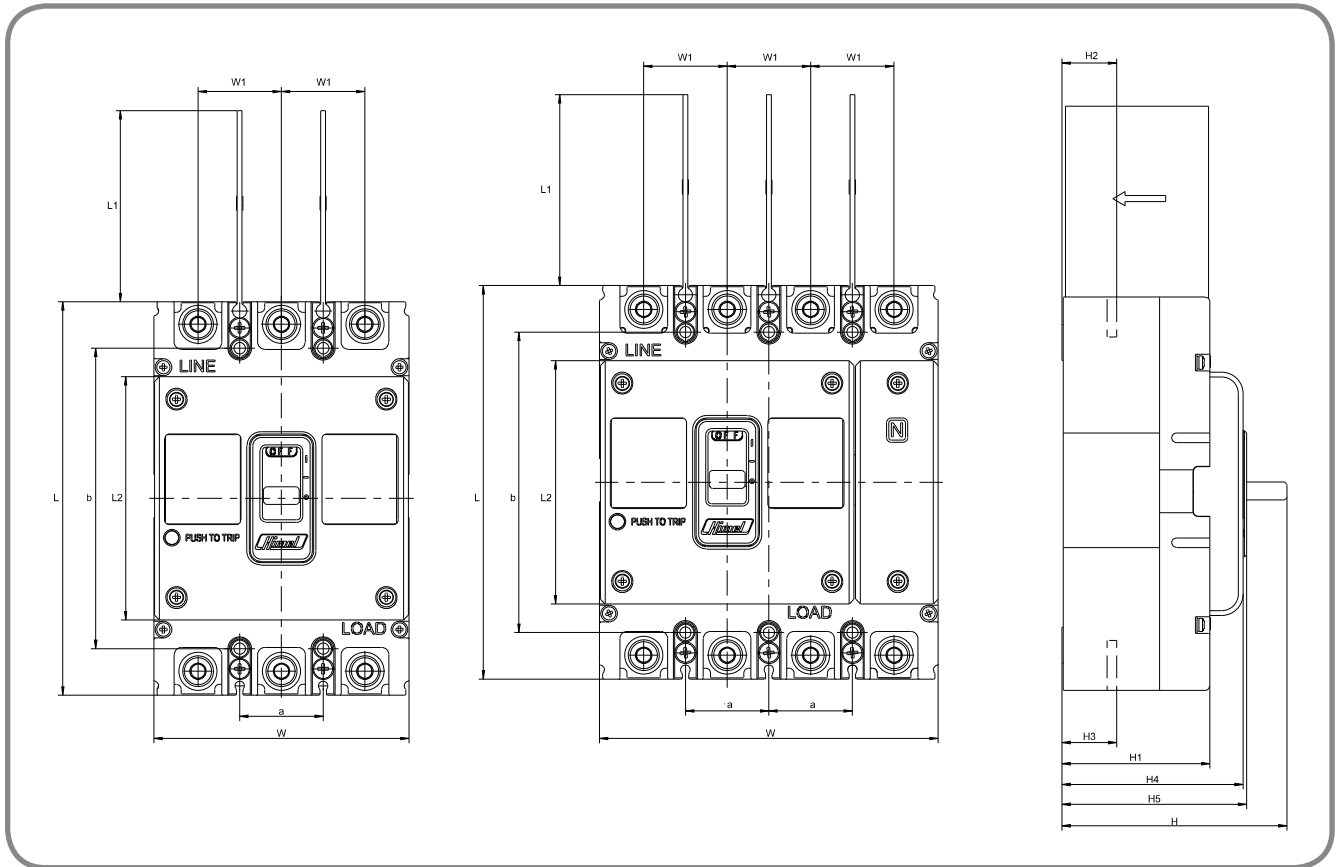
Installation dimensions-Front  
Standard: IEC/EN 60947-2

**3SERIES**  
MORE VALUE FOR PRICE!



## Installation dimensions

### Fixed front installation dimensions



Shell frame	Number of poles	Overall dimension											Installation dimension	
		L	L1	L2	W	W1	H	H1	H2	H3	H4	H5	a	b
63/100L/S	3P	130	50	83	75	25	81.5	54	24	24	68	70.5	25	111
	4P				100									
100M/F/T/N	3P	150	50	96	92	30	111.5	81	28.5	28	93.5	95.5	30	129
	4P				122									
160/250S	3P	165	80	102	107	35	94.5	62	23	23	76	77.5	35	126
	4P				142									
160/250FN	3P	165	80	102	107	35	112.5	80	23	23	94	95.5	35	126
	4P				142									
400	3P	257	104.5	150	150	48	145.9	96.2	36	36.5	107.5	112.5	44	215
	4P				198									
630	3P	257	104.5	150	150	48	145.9	96.2	38	39	107.5	112.5	44	215
	4P				198									
800	3P	280	104.5	102	210	70	146.5	97.5	32.5	35.5	100	114	70	243
	4P				280									
1250	3P	406	104	97.2	210	70	197.5	134	58	60	140	158.5	70	376

# HDM3 Molded Case Circuit Breaker

Installation dimensions-Rear  
Standard: IEC/EN 60947-2

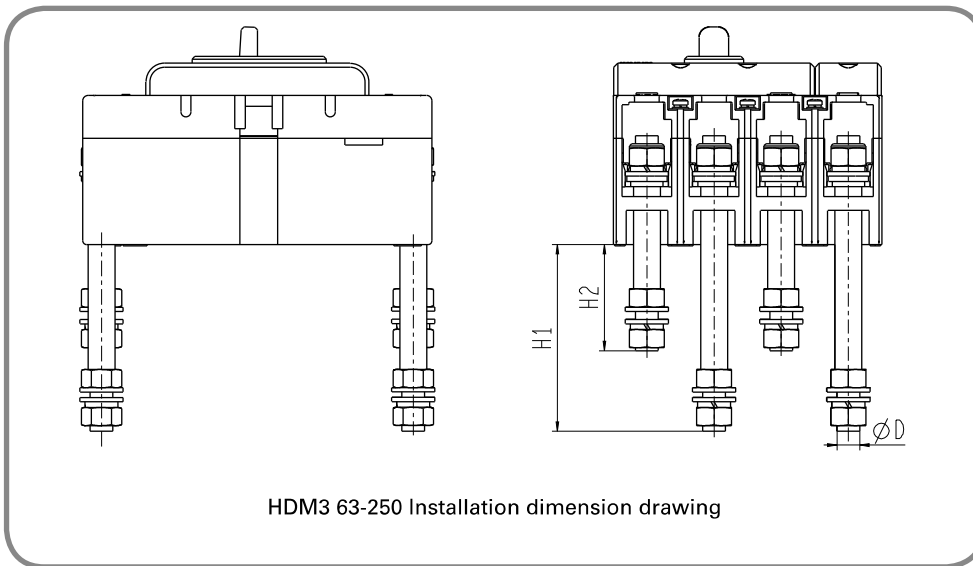
**3SERIES**  
MORE VALUE FOR PRICE!



## Installation dimensions-Rear

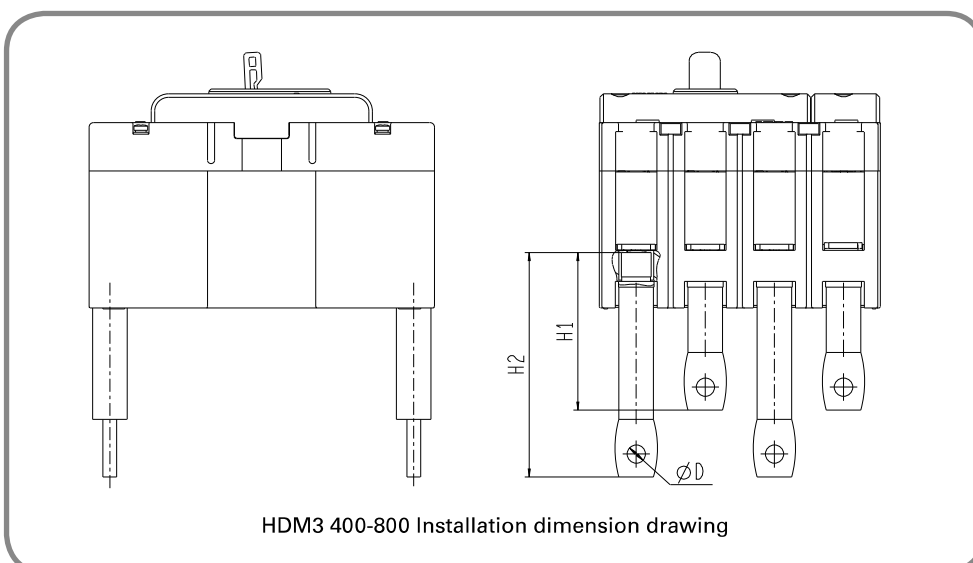
### Fixed rear installation dimensions

Circuit breaker mode	H1	H2	D
HDM3-63/100L/S	80	67	8
HDM3-100M/F/T/N	97	47	8
HDM3-160	102	72	10
HDM3-250	102	72	10



### Installation dimensions

Circuit breaker mode	H1	H2	D
HDM3-400	98	134	12.5
HDM3-630	98	134	12.5
HDM3-800	107	141	12.5



# HDM3 Molded Case Circuit Breaker

Trip curve

Standard: IEC/EN 60947-2

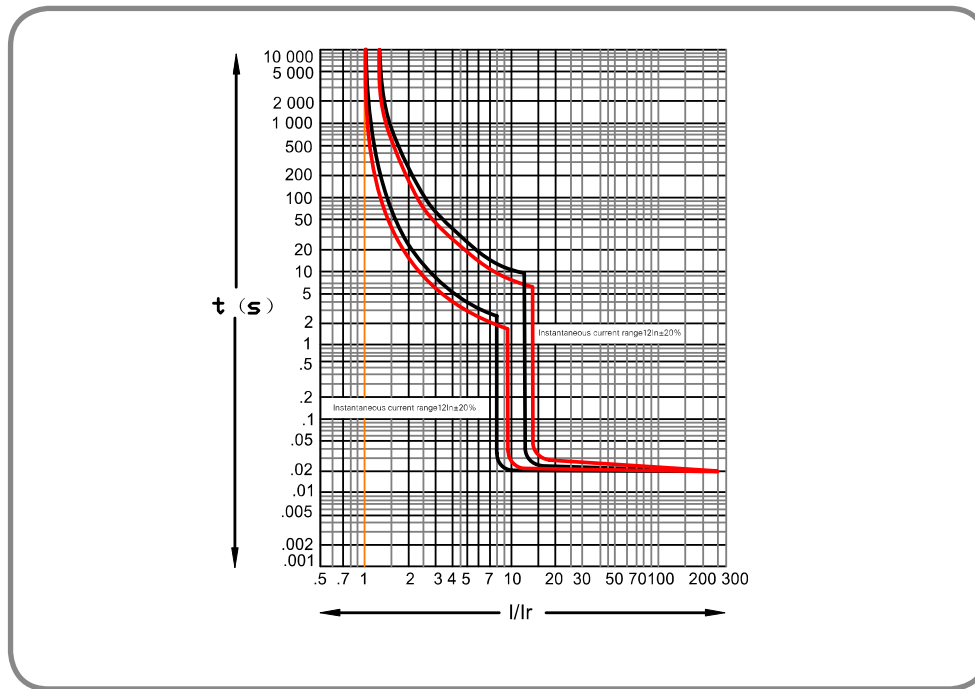
**3SERIES**  
MORE VALUE FOR PRICE!



## HDM3 series Trip curve

### HDM3-100M/F/T/N

HDM3-100M/F/T/N 40A-100A Black line: power distribution protection, red line: motor protection;



### HDM3-160/250

Black line: power distribution protection, red line: motor protection;

